

HA-5221/22

SPICE OPERATIONAL AMPLIFIER MACRO-MODEL

Author: David Riemer

Introduction

This application note describes the SPICE macro-model for the HA-5221, a wide bandwidth op amp. The model was designed to be compatible with the well known SPICE program developed by the University of California in hope that most simulation software vendors follow this basic format and syntax. A schematic of the macro-model, the SPICE net listing and various simulated performance curves are included. The macro-model schematic includes node numbers to help relate the SPICE listing to the schematic. The model is designed to emulate a typical rather than a worst case part. Most AC and DC parameters are simulated. Significant poles and zeros are included to give the most accurate AC and transient simulation with minimum complexity.

The HA-5222 is a dual version of the HA-5221. The HA-5222 macro-model contains only one of the two amplifiers. The actual circuit I_{CC} and I_{EE} will be 2X that of the macro-model.

Model Description

Input Stage

DP and DN represent the differential input resistance. Input bias currents are created by I1 and offset current is modeled with FA. Source VN represents the input offset voltage. C1 limits slew rate. No input parasitics due to package capacitance and lead inductance are included.

Gain Stage

G2, R2, CC, GOL, and RD simulate open loop gain. CC is the macro-model dominant pole capacitor.

Poles-Zeros

The most significant singularities of the HA-5221 are modeled by RC networks. Two pole-zero pairs and four additional poles are used.

Output Stage

EX1, D1 and D2 model output current limiting. IH and IL are the power supply currents. DPH, DPL and GPS vary the supply currents based on the op amps output current. DL, DH, ECC and EEE provide voltage clamping on the output to simulate the typical output voltage swing. Some effects of output parasitics due to package capacitance and inductance are lumped with the poles.

Parameters Not Modeled

- Temperature Effects
- Differential Voltage Restrictions
- Input Voltage and Current Noise
- Common Mode Restrictions
- Tolerances for Monte Carlo Analysis
- Power Supply Range

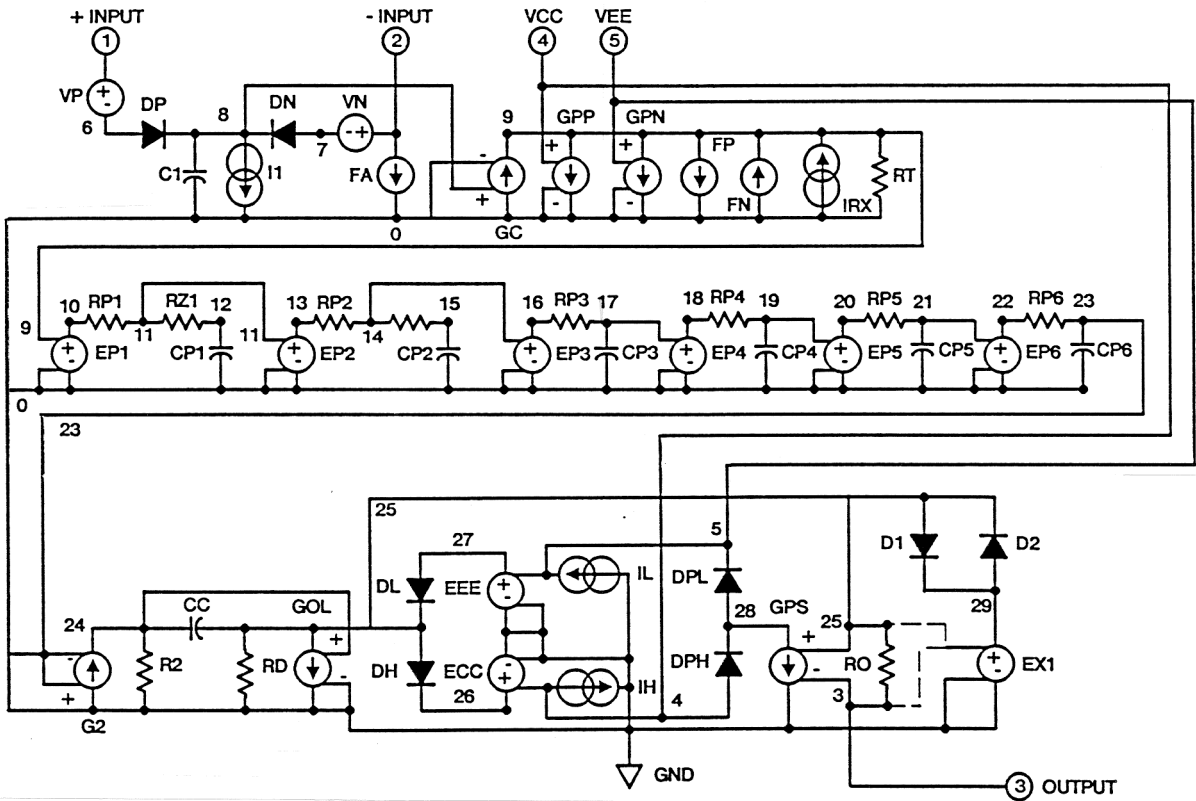
Spice Listing

```

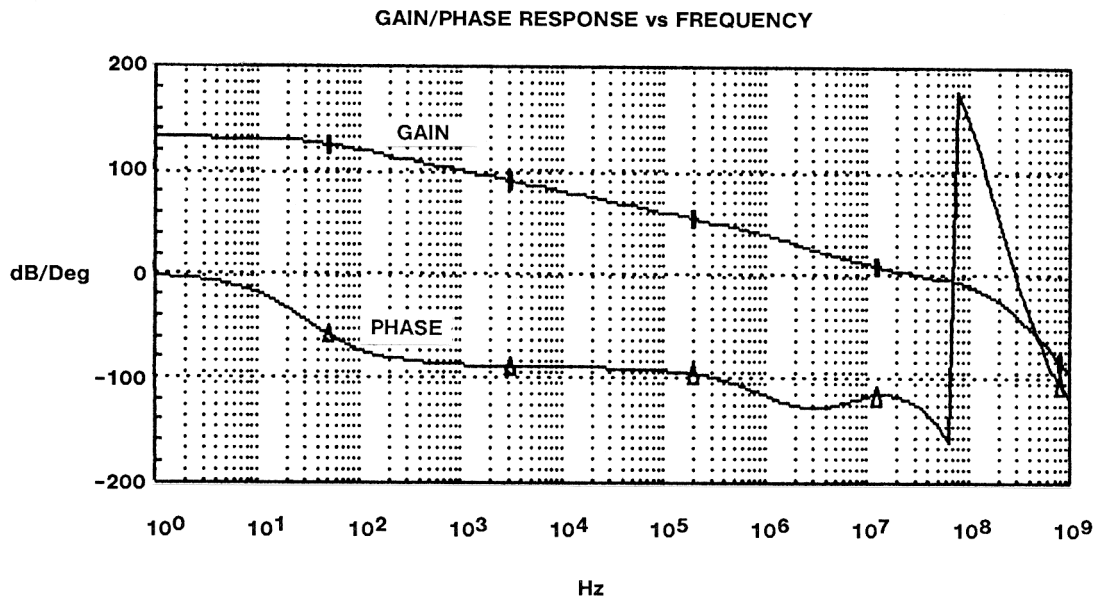
*
* COPYRIGHT © 1991, 2002 INTERSIL AMERICAS INC.
* ALL RIGHTS RESERVED
*
* HA-5221 MACRO-MODEL
* REV: 4/22/91
* BY: D.W. RIEMER
*
*PINOUT: +IN -IN VCC VEE OUT
*
.SUBCKT HA5221 1 2 4 5 3
.MODEL DP D IS=1E-14 N=+1.0378
.MODEL DN D IS=+8.5539E-15 N=+1.0378
.MODEL DV D IS=+5.0027E-14 N=.2
.MODEL D1 D IS=1E-9 N=1
.MODEL D2 D IS=1E-9 N=+1.0
.MODEL DX D IS=1E-20 N=+30.0
*
*INPUT STAGE
*VALUE OF SOURCE VN MODELS VIO AND
  AND MAY BE ADJUSTED AS DESIRED
*
VP 1 6 0
VN 2 7 +3.0E-04
I1 8 0 +6.0300E-08
FA 2 0 VN +7.0862E-01
DP 6 8 DP
DN 7 8 DN
C1 8 0 +2.4249E-16 IC=-3.9979E-01
FP 9 0 VP +1.3609E+04
FN 0 9 VN +1.5909E+04
GC 0 9 8 0 +5.2426E-07
GPP 9 0 4 0 +4.6750E-07
GPN 9 0 5 0 +5.2455E-07
IRX 0 9 -6.4606E-07
RT 9 0 1.0
*
*POLES AND ZEROS
*
EP1 10 0 9 0 1.0
RP1 10 11 +8.4769E+02
RZ1 11 12 +2.8945E+02
CP1 12 0 1E-10
EP2 13 0 11 0 1.0
RP2 13 14 -2.1985E+01
RZ2 14 15 +3.7905E+01
CP2 15 0 1E-10
EP3 16 0 14 0 1.0
RP3 16 17 +1.0613+01
CP3 17 0 1E-10
EP4 18 0 17 0 1.0
RP4 18 19 +9.0971
CP4 19 0 1E-10
EP5 20 0 19 0 1.0
RP5 20 21 +8.3789
CP5 21 0 1E-10
EP6 22 0 21 0 1.0
RP6 22 23 +7.96
CP6 23 0 1E-10
*
*OUTPUT STAGE
*
G2 0 24 23 0 1.0
R2 24 0 +6.5577E+02
CC 24 25 +2.2E-11
GOL 25 0 24 0 +7.4372E+03
RD 25 0 +5.0809E+01
DH 25 26 DV
DL 27 25 DV
ECC 26 0 POLY 1 4 0 -2.5544 1.0
EEE 27 0 POLY 1 5 0 -2.3854 1.0
IH 4 0 +9.0E-03
GPS 28 0 25 3 +8.5427E-02
DPH 4 28 DX
DPL 28 5 DX
D1 25 29 D1
D2 29 25 D2
EX1 29 0 POLY 2 25 0 3 0 0.0 +3.6309E-01 +6.3542E-01
RO 25 3 +1.1706E+01
.ENDS HA5221

```

Macro-Model Schematic

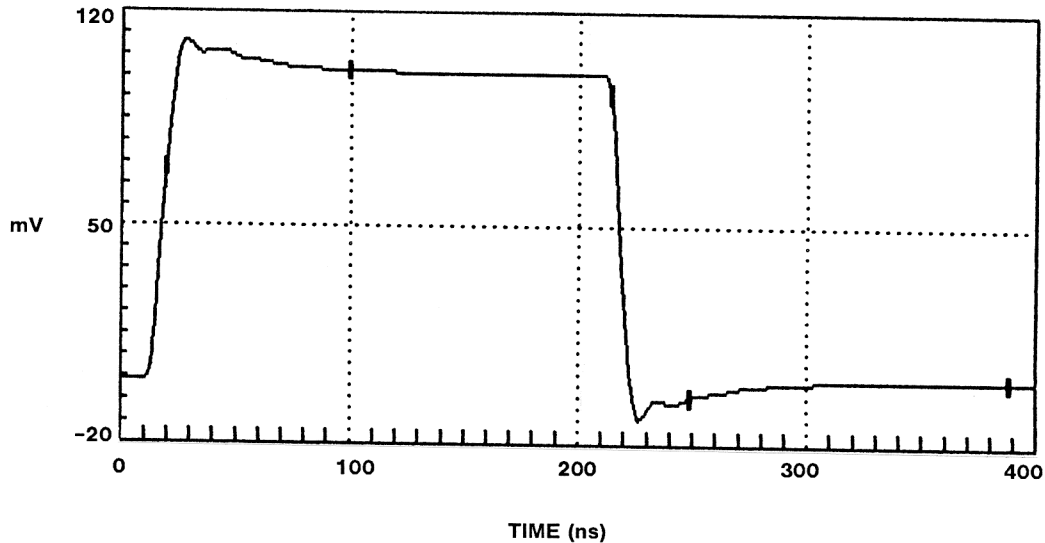


Model Performance

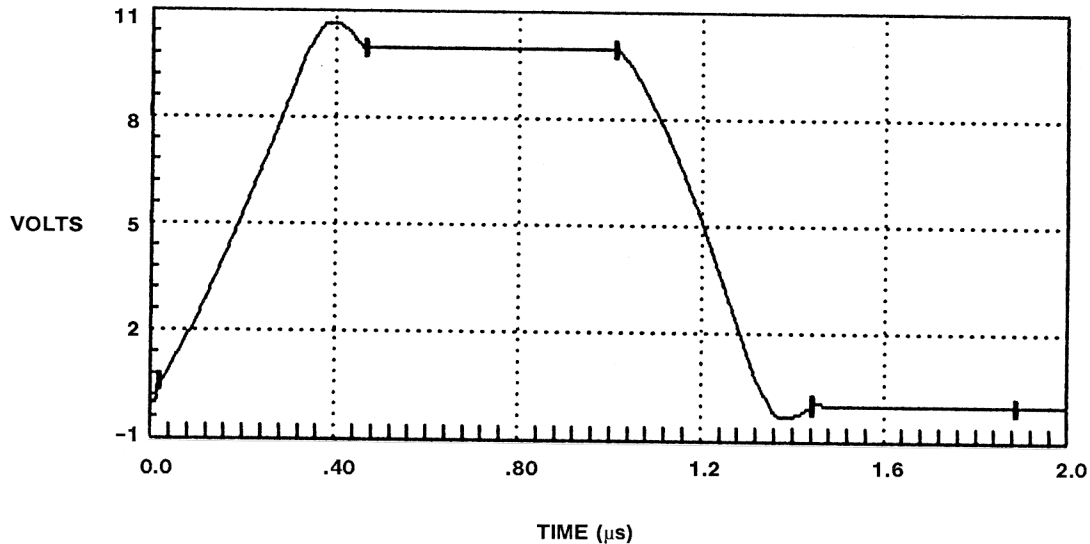


Model Performance (Continued)

SMALL SIGNAL RESPONSE



LARGE SIGNAL RESPONSE



All Intersil products are manufactured, assembled and tested utilizing ISO9000 quality systems. Intersil Corporation's quality certifications can be viewed at www.intersil.com/design/quality

Intersil products are sold by description only. Intersil Corporation reserves the right to make changes in circuit design, software and/or specifications at any time without notice. Accordingly, the reader is cautioned to verify that data sheets are current before placing orders. Information furnished by Intersil is believed to be accurate and reliable. However, no responsibility is assumed by Intersil or its subsidiaries for its use; nor for any infringements of patents or other rights of third parties which may result from its use. No license is granted by implication or otherwise under any patent or patent rights of Intersil or its subsidiaries.

For information regarding Intersil Corporation and its products, see www.intersil.com

Sales Office Headquarters

NORTH AMERICA

Intersil Corporation
7585 Irvine Center Drive
Suite 100
Irvine, CA 92618
TEL: (949) 341-7000
FAX: (949) 341-7123

Intersil Corporation
2401 Palm Bay Rd.
Palm Bay, FL 32905
TEL: (321) 724-7000
FAX: (321) 724-7946

EUROPE

Intersil Europe Sarl
Ave. William Graisse, 3
1006 Lausanne
Switzerland
TEL: +41 21 6140560
FAX: +41 21 6140579

ASIA

Intersil Corporation
Unit 1804 18/F Guangdong Water Building
83 Austin Road
TST, Kowloon Hong Kong
TEL: +852 2723 6339
FAX: +852 2730 1433